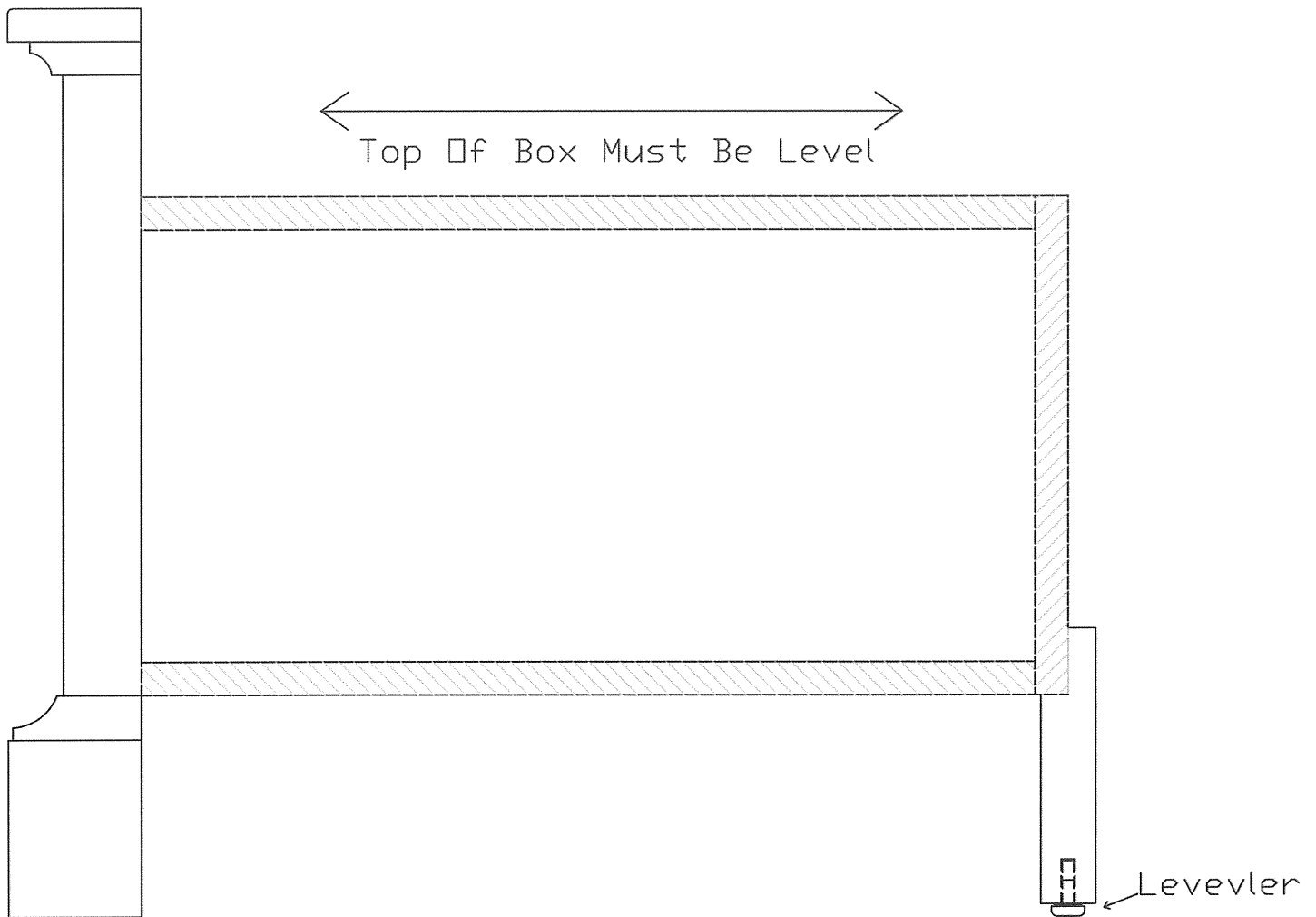


Crescent Classics Storage Footboard Assembly Note



The first step in setting up a storage footboard is to attach the legs to the back of the box.

Then extend the levelers on the legs until the top of the box is level.

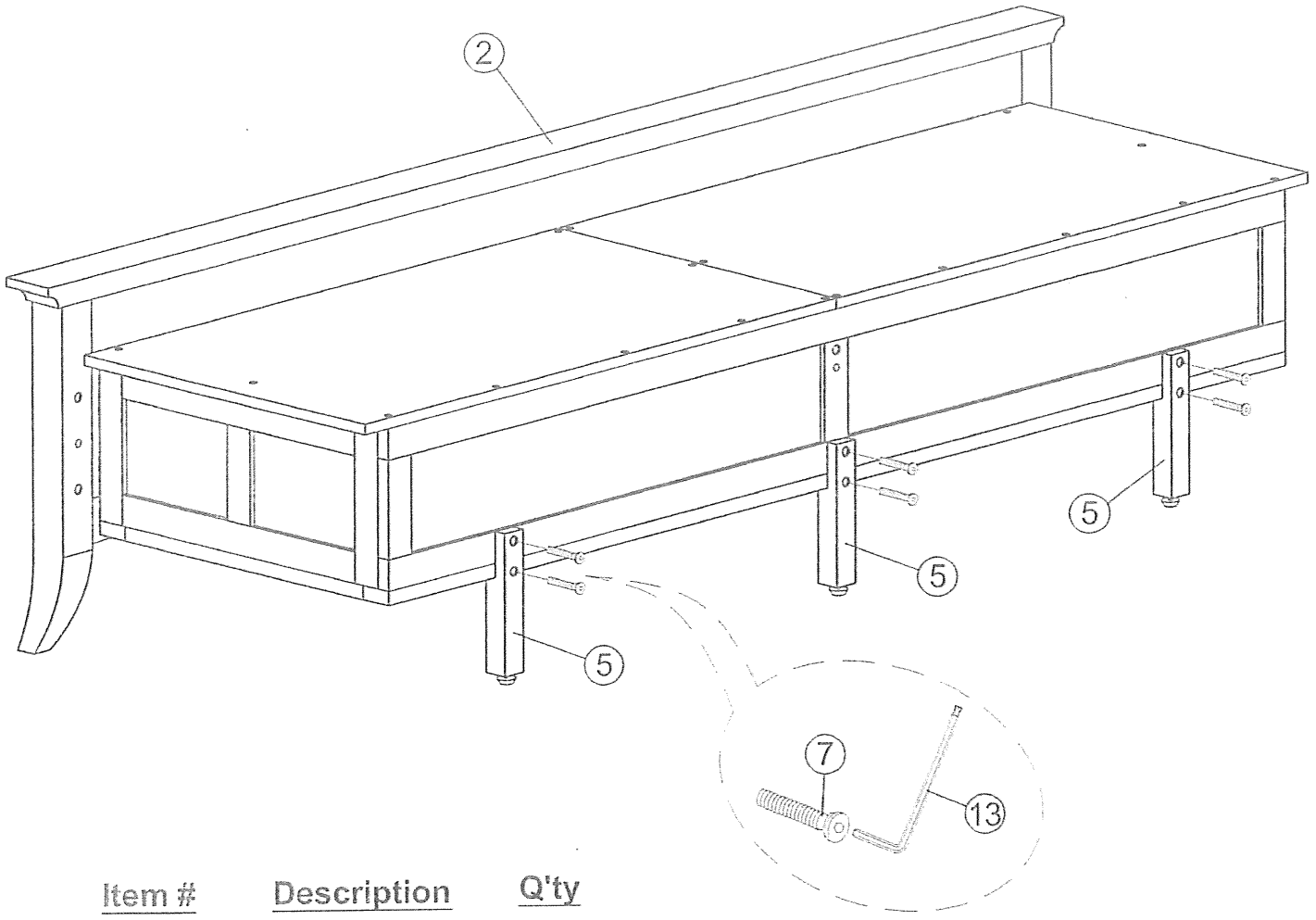
Then attach the side rails from the headboard to the footboard and the center rail from the back of the box to the head rail.

Once these are firmly attached the entire assembly should be level.

The box will sit about 1/4" lower than the rails, but it should be level across the top, not tilting towards the head or foot of the bed.

INSTRUCTION

STORAGE KING BED



<u>Item #</u>	<u>Description</u>	<u>Q'ty</u>
1.	Bed Headboard	1
2.	Bed Footboard	1
3.	Side Rails	2
4.	Center Rail	1
5.	Middle Leg	3
6.	Center Leg	1
7.	Short Bolts	8
8.	Long Bolts	10
9.	Half moons	10
10.	Hex nuts	10
11.	Lock Washers	10
12.	Wrench	1
13.	Allen Wrench	1
14.	Wood Screws	30
15.	Slats Roll	1 (Consists of 10 Slats)

INSTRUCTION

STORAGE KING BED

